

 **OVERLAP**
move to space



TRACKLESS SECTIONAL DOOR



ABOUT US

Delta Overlap is the result of an industrial project thanks to a partnership agreement between Silvelox Spa and Delta Spa.

Silvelox Spa was founded in 1961 in the production of a garage doors with an innovative system, still today considered unique and revolutionary, market leader with a known brand in the high range residential door industry. Delta Spa was founded in 1972 in the rubber and polyurethane system production, market leader with high skills in its own sector.

Thanks to this synergy, Delta Overlap's main goal will be to develop Overlap Technology for residential doors production.

MOVE TO SPACE

Overlap is an innovative sectional door thanks to its original opening system that doesn't require ceiling tracks and reduces by 50% the internal protrusion. With Overlap the space inside the garage is best used and the door clearance is optimized, both in height and in width. Just a 200 mm headroom is required. Overlap is equipped with the SilMotion operator embedded in the head-bar. This system operates the doors without visible ceiling tracks. The door raises, folds in half, turns below the ceiling, split in two sections and the lower one slides below the upper one.

**OVERLAP
TECHNOLOGY**
innovative design

SILMOTION®

MOTORISATION

The Overlap sectional door is equipped with the SilMotion operator, which works for all garage door sizes available in the catalog. SilMotion, projected and developed by Silvelox, is outright innovative thanks to the electronic management and the double magnetic clutch transmission system that reduce consumption and enhance safety standard. SilMotion is completely integrated in the head-bar, therefore the internal side results clean and it does not reduce the door clearance. Moreover, SilMotion can be connected to alarm system and home automation and it's possible to diagnose the mechanics through a Bluetooth application, too. In case of power failure or of a malfunction, the operator can be automatically disengaged and it is possible to operate the door manually. OVERLAP ensure the highest safety standards due to SilMotion and other two unique systems: SilRoll and SilHook. For automatic door operation, two or four channel remote controls are available. The LED courtesy light is integrated in the electronic card embedded in the head-bar.



**OVERLAP
TECHNOLOGY**
innovative design



SILROLL®

The double roller system allows inward panel displacement, for an improved safety.

SILHOOK®

The locking system with SilHook hooks allow to increase security and is independent from the operator.





1

CEILING TRACKS

The vertical sliding movement implies that the door, when open, lies parallel to the ceiling supported by the tracks that remain always in sight, fixed to the ceiling, even when the door is closed.

2

VISIBLE OPERATOR

The operator is anchored to the ceiling with an increment of required space.

3

SPRING SYSTEM

The door is balanced by a spring system. It requires periodical inspections and replacements.

4

INTERNAL SIDE

The multiple horizontal sections architecture involves the use of visible hinges and hardware.

TRADITIONAL SECTIONAL DOOR

OVERLAP SECTIONAL DOOR

WHY CHOOSE OVERLAP

1

TRACKLESS

This is the main feature that makes OVERLAP unique. Thanks to its supporting frame and its two overlapping sections, unpleasant ceiling tracks are not necessary.

2

INVISIBLE OPERATOR

The operator is completely hidden inside the head-bar; it does not require sliding bars and it does not need additional space.

3

COUNTERBALANCE SYSTEM

The two sections are balanced by means of a counterweight system. Parts subject to wear are minimized.

4

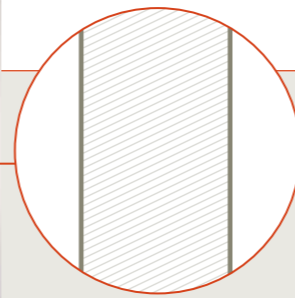
INTERNAL SIDE

Due to the unique architecture, the internal side results clean with no hardware.

MODELS

AIR

Assembled Plain Panels for a refined and minimal effect



SURFACES



woodgrain



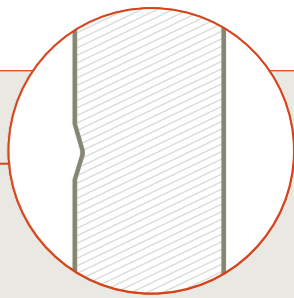
slightgrain



woodstyle

SOUND

The various line on the same panel values the design of this door



SURFACES



woodgrain



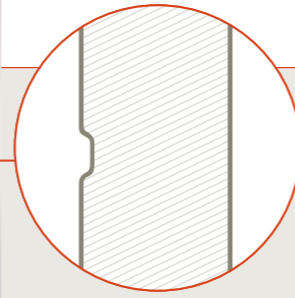
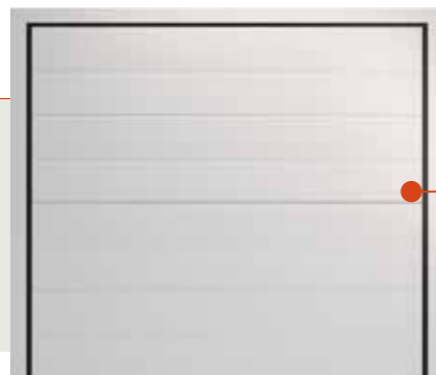
slightgrain



woodstyle

LINE

A simple and linear design conveys elegance and rigor, for all kinds of architectural contexts



SURFACES



woodgrain



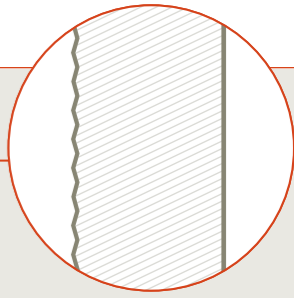
slightgrain



woodstyle

WAVE

Distinctive panel production creates a door which stands out for its strong personality



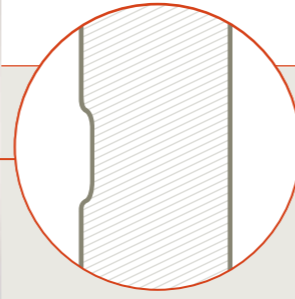
SURFACES



smooth

WIDE

Thick lines emphasizes the door design and give it a determined character



SURFACES



woodgrain



slightgrain



woodstyle

BOX

The timeless elegance of paneled squares makes an appropriate door even for the more traditional contexts



SURFACES



slightgrain



woodstyle

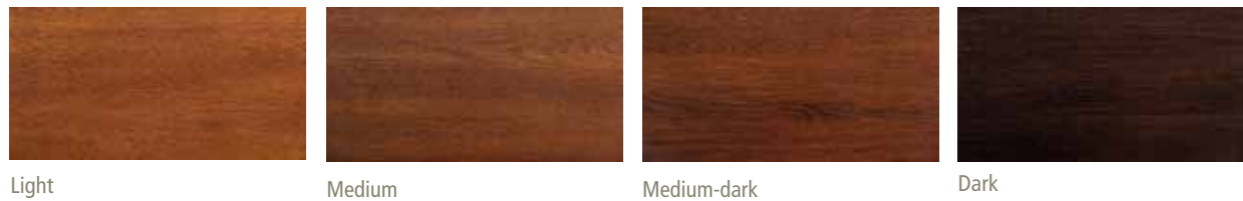
COLOURS

Overlap is made by 40 mm thick PU insulated sandwich panels with metal coat, available in a wide combination of colors and surfacing. It's possible to choose the 12 RAL standard colors, RAL colors on your own choice or realize the wood-like in the 4 standard wood colors.

SMOOTH - SLIGHTGRAIN - WOODGRAIN



WOODSTYLE



GRIDS AND WINDOWS

Overlap is also available with a wide range of glazing options that allow you to illuminate the garage's interior with natural light and to lighten the visual impact of the door. The OVERLAP windows are made of polycarbonate, lightweight and durable material available with bronze embossed finish and, on request, clear embossed or smooth transparent finishes. If the garage needs ventilation it's possible to apply ventilation grids to OVERLAP.



Overlap door, W 3270 x H 2580 with 3 windows and 5 rectangular ventilation grids.



Overlap door, W 3270 x H 2580 with 3 rectangular ventilation grids in the upper panel and 5 rectangular ventilation grids in the lower one.

HANDLES

Upon customer request is possible to apply to OVERLAP a double handle (standard finish Platinbronze), which permits external manual operating from outside, the double handles become mandatory in the case of a garage with no other access or for a manual door. To permit an optimal aesthetic integration, the handles are available in the following finishes: Platinbronze and Platinsilver.



Platinbronze



Platinsilver

SUPERFICI



woodgrain
An embossed surface that reflects the texture of wood grain, a classic and eternal finish.



slightgrain
A smooth surface with a little texture that gives to the color a modern style.

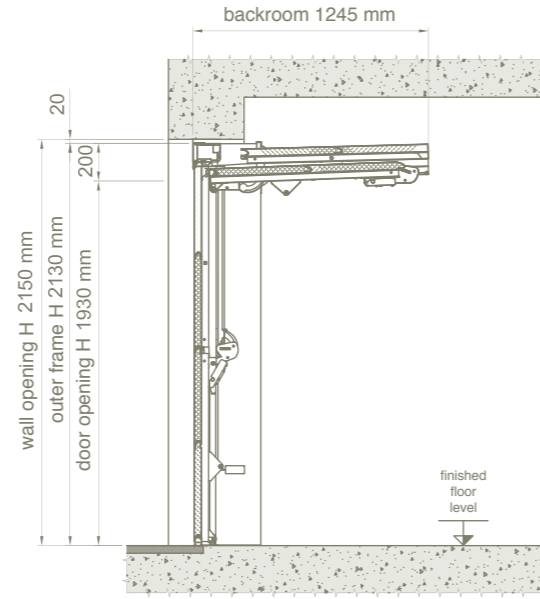
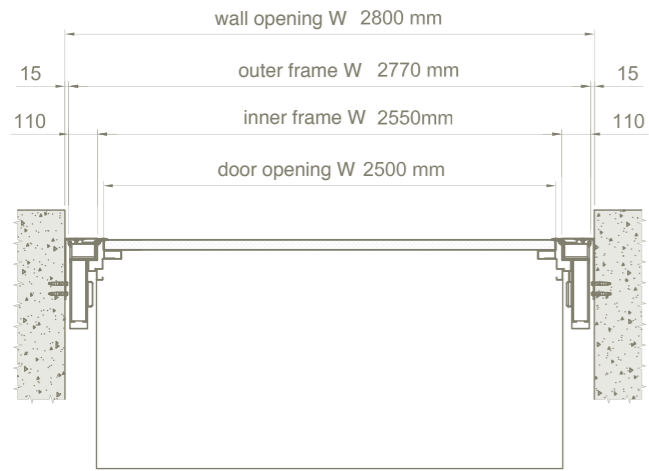


smooth
A smooth and bright surface that intensify color and door style.



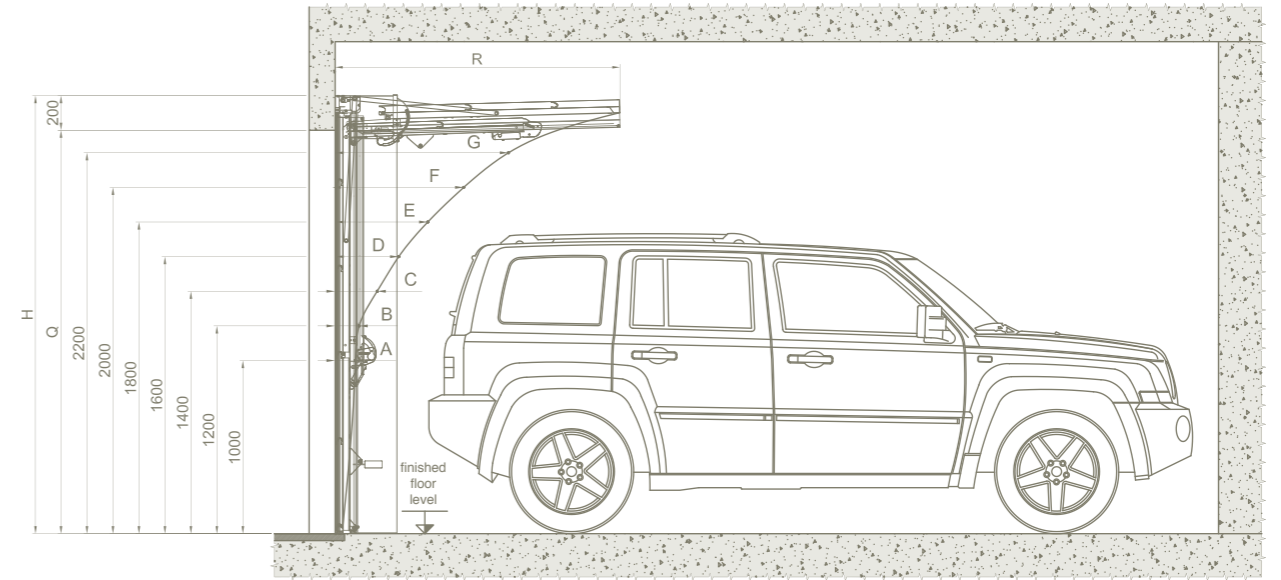
woodstyle
A smooth surface which reflects the color and grain of timber.

INSTALLATION TYPE BETWEEN WALL INSTALLATION

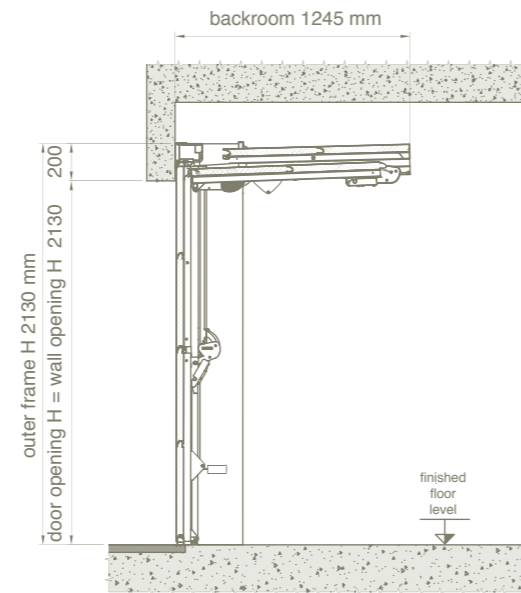


DOOR CLEARANCE

measures in mm



INSTALLATION TYPE BEHIND WALL INSTALLATION



Over all frame	Door opening	Finished floor level							
		A	B	C	D	E	F	G	R
2130	1930	127	158	277	445	674	/	/	1245
2180	1980	126	154	272	435	653	/	/	1295
2230	2030	125	151	268	426	632	/	/	1345
2280	2080	123	147	263	416	610	/	/	1395
2330	2130	122	143	258	406	589	827	/	1445
2380	2180	121	142	254	396	576	741	/	1495
2430	2230	120	141	251	387	562	706	/	1545
2480	2280	118	139	247	377	549	670	/	1595
2530	2330	117	138	243	367	535	635	896	1645
2580	2380	131	148	170	278	412	603	847	1464
2630	2430	130	147	168	272	405	590	820	1515
2680	2480	129	146	166	267	399	577	793	1565
2730	2530	128	144	165	262	394	564	766	1614
2780	2580	127	143	163	257	388	551	739	1664
2830	2630	127	142	162	253	383	539	726	1714
2880	2680	126	141	160	249	377	527	714	1764
2930	2730	126	140	159	245	372	514	701	1814
2980	2780	125	139	157	241	366	502	688	1864

WARRANTY UP TO 10 YEARS

In addition to the 2 years legal warranty, Delta Overlap supports its customers over time offering them an additional coverage period of a total of:

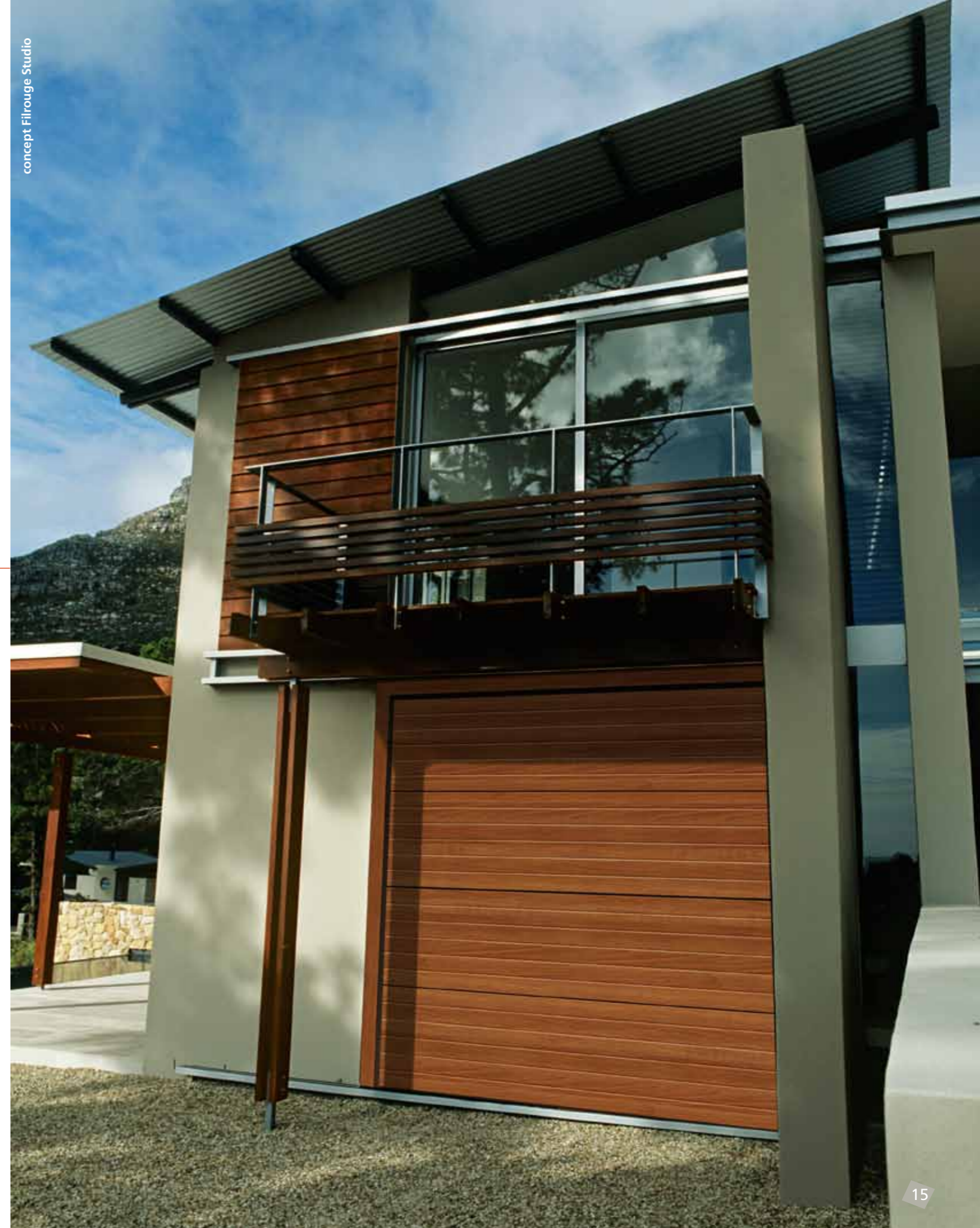
- 10 years on metal parts

STANDARD

- Frame made by 2 mm thick metal sheet, RAL 9016 alike.
- Leaf made by sandwich panels in double sheet with polyurethane foam, 40 mm thickness, horizontal oriented and mechanically joined.
- Internal panel side finished in embossed stucco RAL 9010 alike.
- External panel finished in wood grain, slight grain, smooth or wood style varnished or PVC plasticized.
- Bottom and perimeter sealing in EPDM rubber anti-entrapment, water and wind proof.
- Counterweight system.

SPECIFICATIONS

- Sectional garage door with door opening in 2 overlapping sections.
- Thermal transmittance $U=1,531 \text{ W/m}^2\text{K}$ (value obtained for a door without windows and grids with behind wall installation).
- Excellent performance in terms of acoustics insulation and water/wind proofing.
- SilMotion operator completely integrated in the head-bar, standard equipment (double handles option is to be applied in the case of a garage with no other access). Receiver and remote control are available as accessories option upon request.





Delta Overlap Srl

Legal headquarters: Via Albertini 26, 60131 Ancona

Production site: Zona industriale Loc. Porrara, 83054 Sant'Angelo dei Lombardi (AV)

Tel. +39 071 9033455 - Fax.+39 071 9203459

info@deltaoverlap.com

www.overlapgaragedoors.com