

Garage door drives



Safety and comfort
by through technology





Moti-
vation

(from Latin motus)

= incentive, drive

Motivation drives us on to implement and achieve the things we desire. It can take many forms. But safety and comfort always play a role. **Your motivation is your own personal drive.**



Our drive is your motivation. We apply our expertise, our energy and our strength to providing you with the safety and comfort that you desire. This is what drives us. Each and every day.

Our drive.



As a leading manufacturer of garage door drives and control systems, our motivation drives us to equip doors with Marantec door operators and make them as safe and convenient to use as the most up-to-date technology allows. Your benefit: You can be assured that you possess one of the safest operator systems in the world, which protects your family and your property to the fullest and at the same time offers comfortable freedom.

Technology is the present and the future. It allows us to implement many of our desires.



We understand. The engineers at Marantec love technology. Their motivation is to allow dreams to come true. They really prefer to have the answer ready before you have even thought of what you would like next.

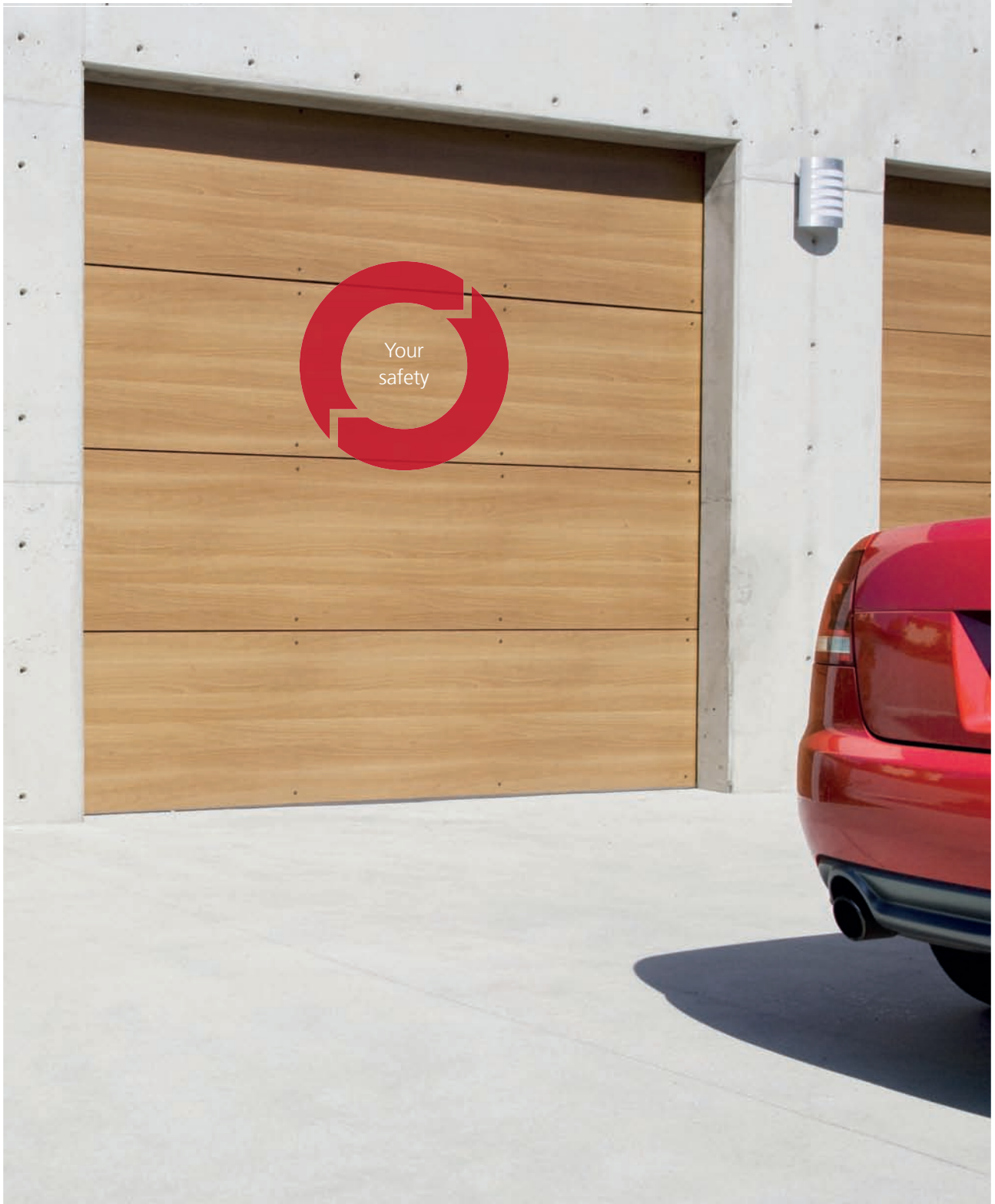


Doors that are operated automatically by Marantec drives use **innovative technologies** that reduce energy costs, speed up door movements, can also operate without power cables, can adapt automatically to changes in door behaviour (in wind and rain, for example), ensure continuous monitoring of the drive and the door, take action when necessary and **guarantee your safety and comfort**.

Safety gives confidence. It is the basis for ensuring well-being and a feeling of security.



We understand. Marantec develops and manufactures all the operator components itself. Quality, durability and continuous checks are our answers to your motivation.

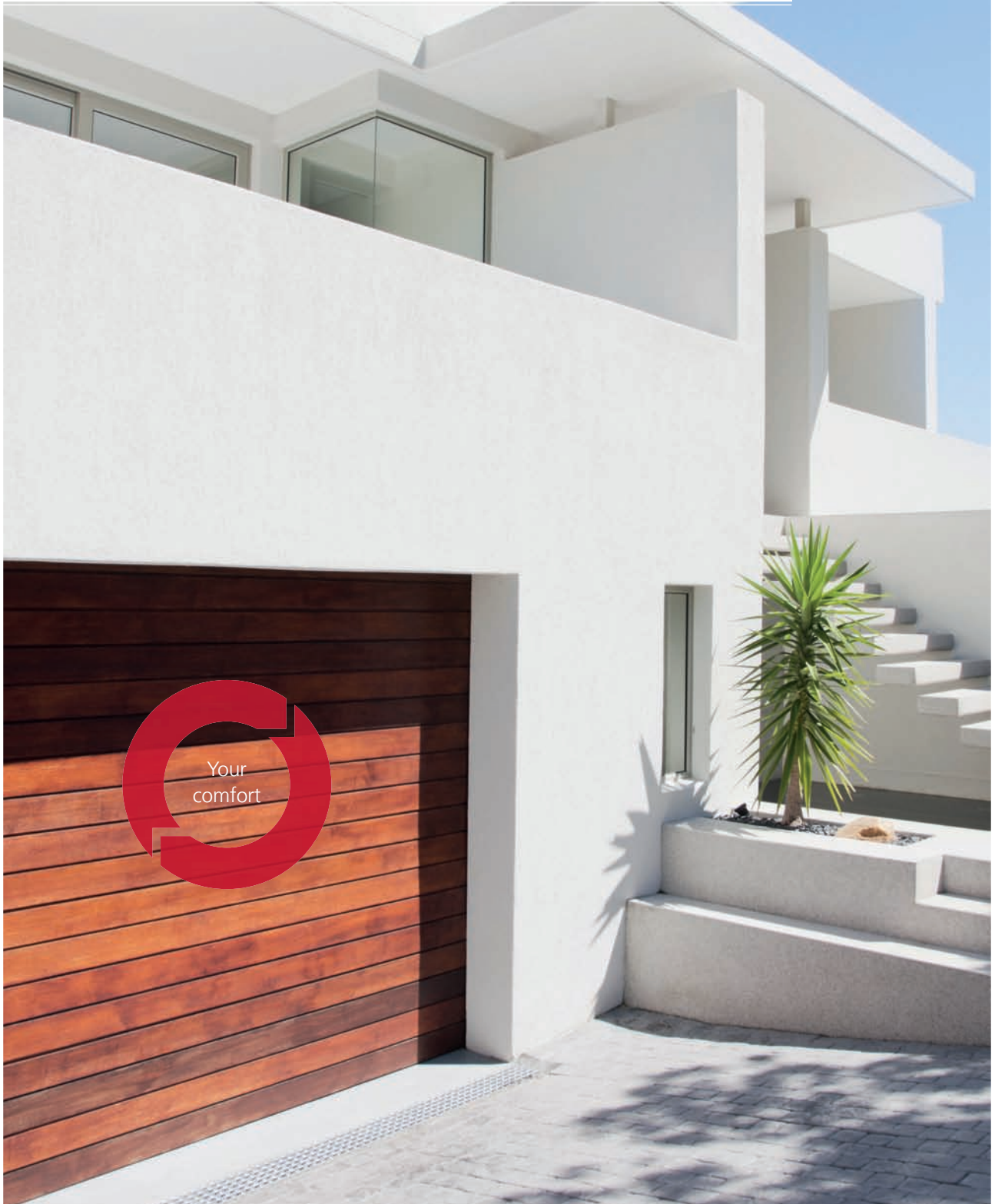


Doors that are automated with a Marantec operator **protect people and objects**, prevent doors from closing under their own weight, restrict unauthorised use, can adapt perfectly to each door, continue to operate safely even if the main power supply fails, trigger an alarm if malfunctions arise, and **meet all the European and international standards**.

Comfort is pleasure. And effortless and flexibility are providers of pleasure.



We understand. Your comfort is the result of our activities. Marantec operators offer a range of functions to meet all your requirements – quite simply, at the push of a button.



Doors that are automated with a Marantec operator can be opened easily at the push of a button, **wherever it suits you best**, with additional functions such as holiday control options and lighting functions, with expansion sets should your requirements change, and with comprehensive and **quick service** if you have any questions.



Safety and comfort ensured by technology.

Stylish housing in a
contemporary design.



Comfort 260, 270, 280 A classic in our range of garage door operators. Now in its fifth generation. Always state-of-the-art, thanks to continuous and systematic further development. LED lighting, energy-saving systems, gentle controls that minimise door wear, sensitive detection of obstructions, push-open security device and user-friendly operation. Tradition and progress. Safe and comfortable.

Your motivation is our garage door drive.

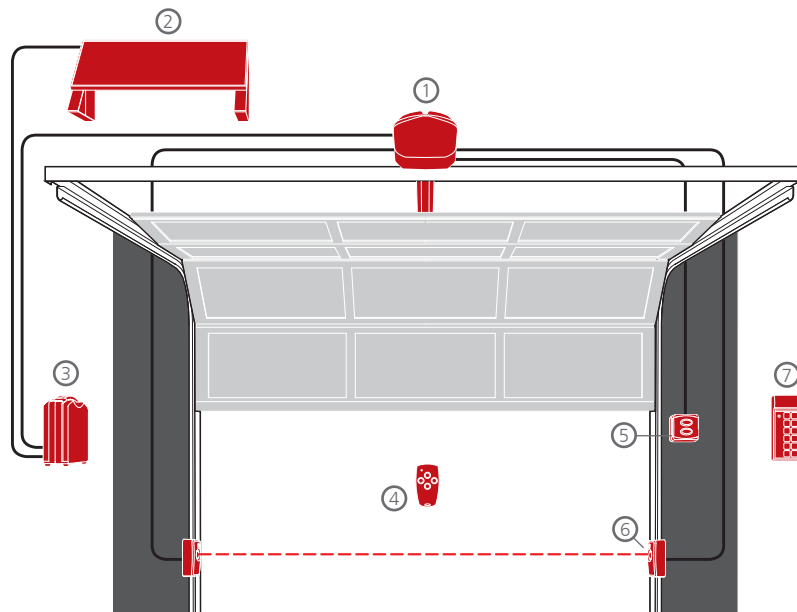


Comfort 360, 370, 380 A highlight in white. For very special requirements. The patented **blueline** technology reduces energy consumption to a minimum, while the innovative speed function moves the operator at high speeds. The LED lighting on both sides provides a new kind of brightness and an emergency power battery can be integrated as and when required. Pure engineering. For safety and comfort.



For every door **the best** drive solution.

Whether your garage door is big, small, heavy, light, new or slightly old. If you want to operate your door using a standard electrical power supply, alternative energy sources or at particularly high speeds – the Comfort products will offer the ideal operator solution for every desire and for every requirement.



- ① Garage door operator including boom
- ② Solar panel, as an alternative power supply

- ③ Emergency power battery / rechargeable battery as an alternative power supply
- ④ Hand transmitter

- ⑤ Interior push button, for operation
- ⑥ Photocell, for additional safety

- ⑦ Radio code keypad, for operation

Certified quality for all types of garage door

Marantec garage door operators can be used to operate all types of door, such as sectional doors, up-and-over doors and retractable up-and-over doors.

All Marantec garage door operators are tested in Marantec's own test centre in combination with doors from all the different door manufacturers and are also certified by independent, accredited institutions. Marantec garage door operators meet the requirements of European standard 13241-1.



EN 13241-1



Test centre

Tested and certified safety. "Made in Germany" by Marantec.

Marantec door operators verifiably comply with all the legal standards and offer further innovative and patented safety functions in addition. All of the systems are manufactured in accordance with ISO 9001 and ISO 14001.



Made in
Germany



Push-open security device

Twofold security against intruders: The electronically monitored push-open security device prevents the door from being opened by unauthorised persons. The self-locking of the gears provides additional mechanical protection.

Patented power limitation: The operator protects persons and objects reliably by reacting with high sensitivity, stopping and reversing the door immediately when obstructions lie within its path.

Photocells: The contact-free monitoring of the whole door area offers additional safety for all the family.

Emergency release system: In the case of power cuts, the door can be released from the inside. An additional release system can also be fitted on the outside if the garage has no second access.



Patented power limitation and
additional photocell



Safe emergency release system



The highest level of comfort and safety **to meet all requirements and wishes.**

Flexible installation

The operator head can be turned through 90° to the left or right. It can therefore adapt flexibly to suit all configurations on site and the operator unit lighting can also be used to illuminate specific areas as required.



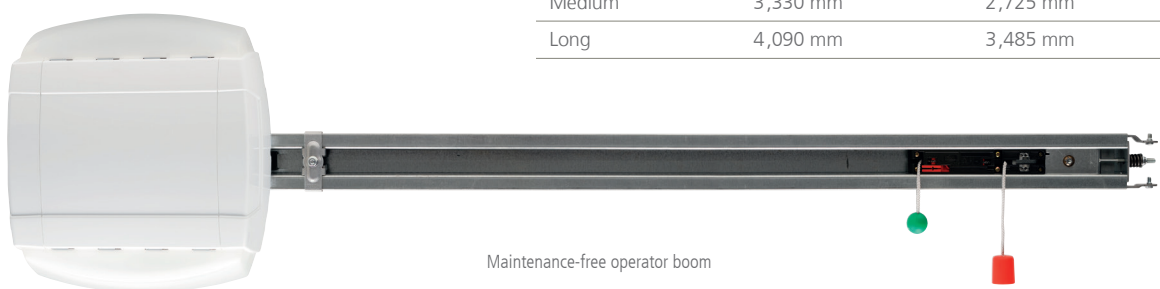
Flexible installation

The right operator boom for each garage door

With chain or toothed drive-belt system. Maintenance-free and stable. In addition, the toothed drive-belt system works extremely quietly. With the reinforced ball-bearing boom, 1.2 mm thick, it is perfect for situations with particularly heavy loading, such as in underground garages with frequent traffic.



Boom	Length	Movement stroke
Short	3,080 mm	2,475 mm
Medium	3,330 mm	2,725 mm
Long	4,090 mm	3,485 mm



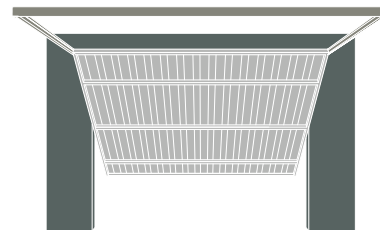
Maintenance-free operator boom

Technical data

	Comfort 260	Comfort 270	Comfort 280	Comfort 360	Comfort 370	Comfort 380	Comfort 211 Rechargeable battery/Solar
Pull and thrust force (max. N)	550	750	1.000	650	850	1.100	450
Travel speed (max. mm/s)	160	160	160	220	235	180	120
Power consumption in stand-by (W)	4.0	4.0	4.0	0.6	0.6	0.6	< 4.0
Light output (extendable)	LED 40/80 W	LED 40/80 W	LED 40/80 W	LED 80/160 W	LED 80/160 W	LED 80/160 W	LED 11 W
Door width (mm)							
a) Sectional doors with single-wall door leaf	5,000	5,500	6,000	5,000	5,500	6,000	3,500
b) Sectional doors with double-wall door leaf	3,000	5,500	6,000	3,000	5,500	6,000	2,500
c) Up-and-over doors	3,500	5,000	6,000	3,500	5,000	6,000	3,000
d) Retractable up-and-over doors and canopy doors, with door heights of up to 2,250 mm	3,500	5,000	6,000	3,500	5,000	6,000	3,000
Door weight (kg)	90	165	200	110	185	220	75
Emergency power (backup battery) (*Can be integrated)	back up 700	back up 700	back up 700	back up 100 *	back up 100 *	back up 100 *	
Rechargeable battery	<input type="checkbox"/>	<input type="checkbox"/>	<input type="checkbox"/>	<input type="checkbox"/>	<input type="checkbox"/>	<input type="checkbox"/>	<input checked="" type="checkbox"/>
Solar	<input type="checkbox"/>	<input type="checkbox"/>	<input type="checkbox"/>	<input type="checkbox"/>	<input type="checkbox"/>	<input type="checkbox"/>	<input checked="" type="checkbox"/>



Sectional doors



Up-and-over doors
Retractable up-and-over doors

Safety provies confidence. Comfort is pleasure.

Accessory range

Photocell Special 630: Installed in addition to the standard automatic cut-out feature, this photocell provides additional safety for all the family. Among other things, it is required for use with automatic closing systems and when a wicket door is present.

Emergency power battery: If the mains power supply fails, the emergency backup battery temporarily supplies power to the operator. The backup battery can be retrofitted at any time, and with the Comfort 300 range can even be integrated into the operator.

Signal light Control 950: Perfect for attracting attention. When the door is moving, the signal light flashes or lights up, using energy-efficient LED technology. As with all the safety components, the Control 950 is a Marantec development, which means that it complements the operator systems perfectly.

Rechargeable battery: Alternative power source for automatic door operation in situations where no mains power connection is available. Easy to recharge using mains charger; easy to handle. Can currently be supplied with Comfort 211.

Solar module: Using the sun as the energy supplier. Alternative power source for automatic door operation. Used in conjunction with the rechargeable battery, for energy storage. Can currently be supplied with Comfort 211.



The comprehensive accessory range is available as a simply to install wireless solution or with a connection to a power supply line. Operating possibilities are varied. At the touch of a button, PIN-code, automatic timer function or card reader unit, for example, using chip cards.



Hand transmitter Digital 302-323: Available with one or four buttons to activate various functions, door controls and lights. For your handbag or trouser pocket, for the cigarette lighter or sun visor, or for the wall.



Interior push button unit Command 115, 116, 613: Operate and control the system from inside the garage: Open – Stop – Close. Buttons are illuminated, labelled with clear symbols, and can be locked.



Interior push button unit Command 107: Operate and control the system from inside the garage. Expansions for holiday control options and lighting functions are available.



Key switch Command 314, 414: Operate and control the system from outside the garage using a key. Weatherproof and available as either a recessed or surface-mounted unit.



Radio code keypad Command 222: Operate and control the system from outside the garage using a four-digit PIN code. Weatherproof, with illuminated buttons and protected against vandalism.



Transponder system Command 802, 812: User-friendly electronic reading device for code cards in credit card format or key fobs, for a maximum of 30 or 2000 users.



LED expansion EL 200 and EL 300: LED expansion for doubling the light output from 80 to 160 W. Easy to retrofit thanks to plug-in connection.



Garage door operators

Garage door operators
for underground garages

Hinged-gate operators

Sliding-gate operators

Car park barriers

Controls

Accessories

www.marantec.com

Marantec Antriebs- und Steuerungstechnik GmbH & Co. KG

Remser Brook 11 · 33428 Marienfeld · Germany

 +49 52 47 705-0  +49 52 47 705-284

No part of this document may be reproduced without prior permission. Subject to alterations without notice.
The operators and technical equipment shown do not always represent the standard versions.