



In two versions for garages and outbuildings



Garage Doors

Double-leaf aluminium frame doors with panel infills



Garage doors

Easy access to garages and outbuildings



Double-leaf insulated NT60-2 and NT80-2 garage doors are the ideal for replacements for older hinged doors. These maintain a classic look without having to do without the advantages of modern function and security. Your Hörmann specialised trade partner would be happy to assist you.



Made in Germany



Aluminium frame construction with panel infill

The frame's aluminium extrusion profiles and 42-mm-thick, PU-foamed infill made of steel sandwich panels ensure the required garage door stability and guarantee a long service life.

Ready-to-fit door set

Hörmann NT80-2 garage doors are delivered ready-to-fit with a profile cylinder mortice lock, a lever handle set with a security rose escutcheon outside and oval rose escutcheon inside and 3-way adjustable, maintenance-free hinges.

The NT 60-2 comes as a partially fitted door set. The frame can be easily assembled and fitted on-site.

Good thermal insulation

The especially good insulation of the NT80-2 garage doors, including profiles with thermal breaks, helps to avoid draughts and unnecessary heat losses. This saves energy if, for example, the garage is also used as a hobby room.

Matching Hörmann sectional doors

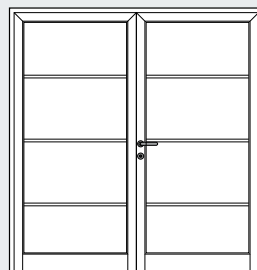
Hörmann can provide you with a double-leaf garage door to match your sectional garage door, with the exact same alignment on request.



S-ribbed



M-ribbed



L-ribbed

There are three infill designs to choose from matching S, M and L-ribbed Hörmann sectional doors. You can find further information at www.hormann.co.uk

4 surface finishes

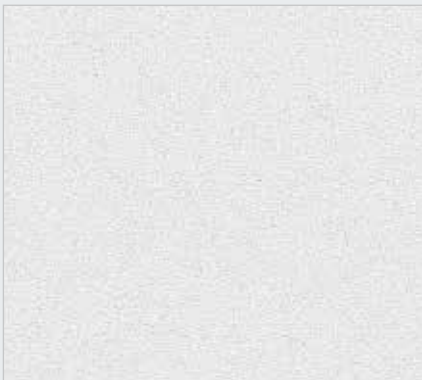
You have the choice



Woodgrain, Traffic white, RAL 9016

Woodgrain

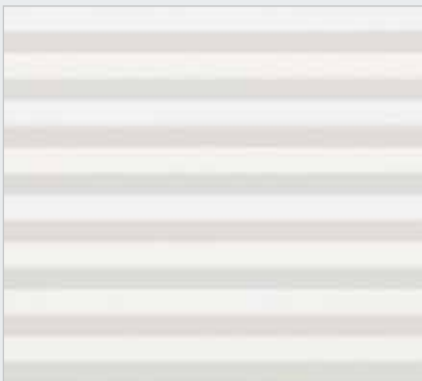
On this inexpensive, robust surface with an authentic sawn timber look, minor scratches can be easily repaired by working with the texture.



Sandgrain, Traffic white, RAL 9016

Sandgrain

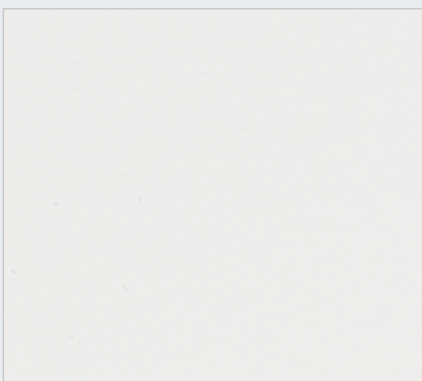
This finely structured surface is an ideal choice for price-conscious owners and is particularly suited for modern homes.



Micrograin, Traffic White, RAL 9016

Micrograin

This surface features a wave profile that is embossed into smooth steel, producing attractive light and shadow effects.



Silkgrain, Traffic White, RAL 9016

Silkgrain

Thanks to its elegant door appearance, the silky smooth Silkgrain surface finish is the first choice for modern architecture. A 50% thicker exterior sheet on the sections also ensures higher stability and even smoother running.

A vast array of colours

Integrate your garage door into your home's colour concept.

15 preferred colours

Grey Aluminium	RAL 9007
White aluminium *	RAL 9006
Terra brown *	RAL 8028
Clay brown	RAL 8003
Ochre brown	RAL 8001
Window grey	RAL 7040
Light grey	RAL 9006
Stone grey	RAL 9007
Anthracite grey *	RAL 7016
Fir green	RAL 6009
Moss green	RAL 6005
Pigeon blue	RAL 5014
Steel blue	RAL 5011
Ruby red	RAL 3003
Light ivory	RAL 1015

15 equally-priced preferred colours

Steel sectional doors are available as standard in Traffic white, RAL 9016, as well as in 15 inexpensive preferred colours and around 200 colours from the RAL colour chart, with the exception of pearl-effect, fluorescent and metallic colours.

You can choose from 3 preferred colours* for the new surface finish Sandgrain.

* Preferred colours for Sandgrain surface finish

6 Decograin surface finishes

For NT-60-2 doors



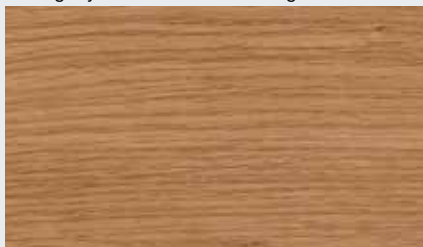
Decograin Golden Oak: medium brown, golden yellow oak design



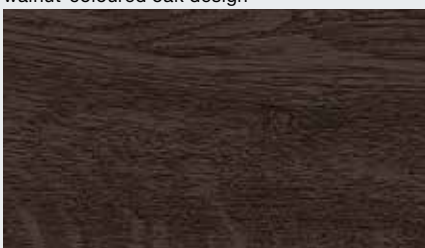
Decograin Rosewood: mahogany-coloured timber design



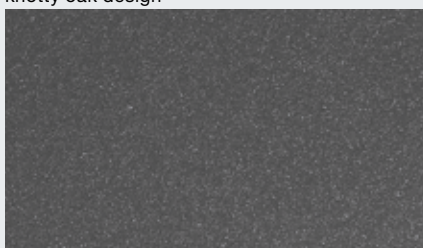
Decograin Dark Oak: walnut-coloured oak design



Decograin Winchester Oak: natural-coloured knotty oak design



Decograin Night Oak: dark, intense oak design



Titan Metallic CH 703: anthracite with a metallic effect

Decograin surface finishes

Decograin is available in five natural-looking timber designs for M-ribbed, L-ribbed and Panelled door styles and with an anthracite metallic effect, only for M-ribbed and L-ribbed door styles.

An embossed woodgrain gives it all the aesthetics of timber.

The door remains beautiful for a long time thanks to the special surface protection of the UV-resistant plastic film coating on the outside of the steel sections.

Garage doors

Two versions of Hörmann quality



NT 60-2 garage door

NT 60-2

Solid construction

Standard equipment

Double-leaf garage door for fitting in the opening, **opening outwards**

Leaf frame and door frame

Aluminium profiles, depth 60 mm

Door infill

Double-skinned, PU-foamed steel sections, depth 42 mm

Door infill surface finish

Exterior: Woodgrain, Sandgrain, Silkgrain, Micrograin and Decograin*

Interior: Stucco-textured, RAL 9002

Standard colour:

Frame, leaf profile and infill: Traffic white, RAL 9016

Interior infill: Grey white, RAL 9002

Size range

Up to 2500 x 2558 mm (RAM)

Locking

Mortice lock 1314

Optional

Handle variants

RAL colours to choose

Slide rail overhead door closer (OTS)

Door stay

Window and aluminium frame glazing

Triple locking with security bolts in frame

Electric door strike (for day release)

Also available as a single-leaf door

Further information can be found in the current dealer price list.

* In the surface finishes Dark Oak, Golden Oak, Night Oak, Winchester Oak, Rosewood and Titan Metallic CH 703 with block frame or corner frame, you will receive a frame matching the Decograin surface finish.



NT80-2 garage door

NT80-2

Insulated

Standard equipment

Double-leaf, insulated garage door for fitting in the opening, **opening inwards**

Leaf frame and door frame

Aluminium profiles with thermal break, based on the TC80-2 from the entrance door range

Door infill

Double-skinned, PU-foamed steel sections, depth 42 mm

Door infill surface finish

Exterior: Woodgrain, Sandgrain, Silkgrain,
Micrograin Interior: Stucco-textured, RAL 9002

Standard colour:

Frame, leaf profile and infill: Traffic white, RAL 9016
Interior infill: Grey white, RAL 9002

Size range

Up to 2600 × 2500 mm (RAM)

Locking

5-point locking, rebate locking bolt in fixed leaf with stainless steel security bolts in the frame

Optional

Opening outwards

Handle variants

RAL colours to choose

Slide rail overhead door closer (OTS)

Door stay

Electric door strike

Retractable bottom seal
(version without threshold)

Further accessories and optional extras from the TopComfort entrance door programme, style 102

Also available as a single-leaf door

All colours based on RAL.

More information on colours and surface finishes can be found in Hörmann's sectional garage doors brochure and on the Internet at www.hormann.co.uk.

Equipment

Quality in the details

Hinges

NT 60-2: 3 two-part hinges, for garage doors in RAL 9016: white

For garage doors in colour and RAL to choose:
Cast aluminium, natural finish (F1)

Garage doors with Decograin surface finish:
Hinges in a matching colour

NT80-2: Per door leaf two 2-part, 3-way adjustable, maintenance-free aluminium hinges

Matching the door colour: RAL 9016, hinges in RAL 9016

For doors in RAL to choose: aluminium E6 / EV 1 hinges

Lever handle

NT 60-2: For garage doors in RAL 9016 and Decograin surface finish:

Plastic lever handle set, black

For garage doors in colour and RAL to choose:

Cast aluminium lever handle set, natural finish (F1)

NT80-2: aluminium lever handle set, exterior with knob

For door colour: RAL 9016, lever handle set: RAL 9016

For door colour RAL to choose: aluminium lever handle E6 / EV 1

Optional: stainless steel handle set

Locking

NT 60-2: mortice lock

Optional: triple security lock with security rose escutcheon

NT80-2: lock with 5-point locking with security rose escutcheon and swing bolt, lock cover in stainless steel

Hold-open device

NT 60-2: through latching bolt at top and bottom on fixed leaf (standard)

Optional: door stay for the traffic leaf, hold-open device, door leaf selector for fixed and traffic leaf

NT80-2: rebate locking bolt

Optional: door stay

NT 60-2



3 two-part hinges

NT80-2



3-way adjustable hinges



Aluminium lever handle



Stainless steel handle set (optional)



Additional security bolt



Security bolts



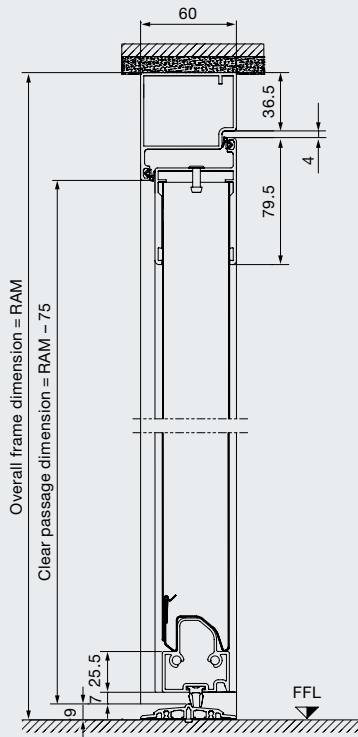
One swing bolt each at top and bottom



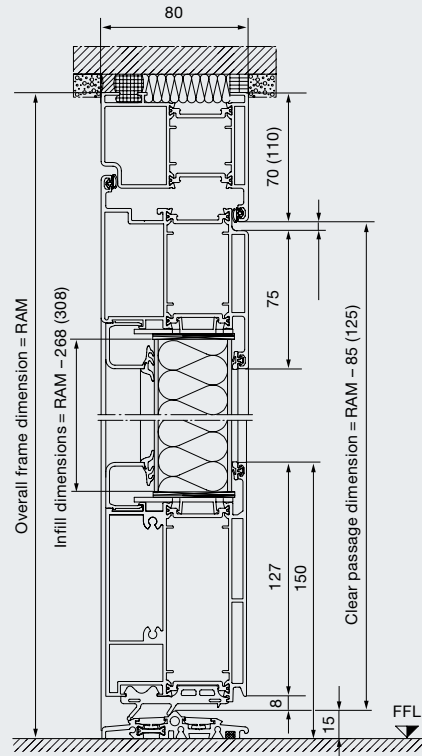
5 locking points and 3 swing bolts

Fitting data

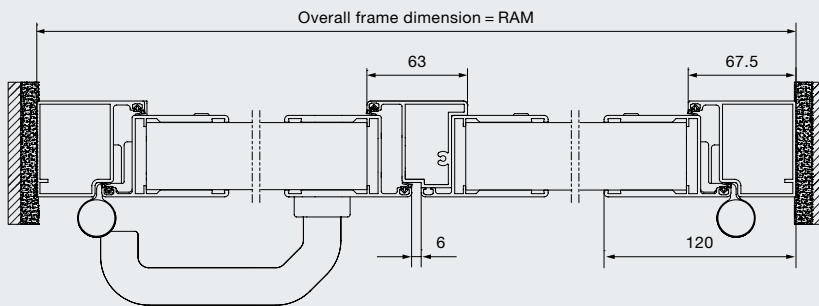
Vertical view
NT 60-2



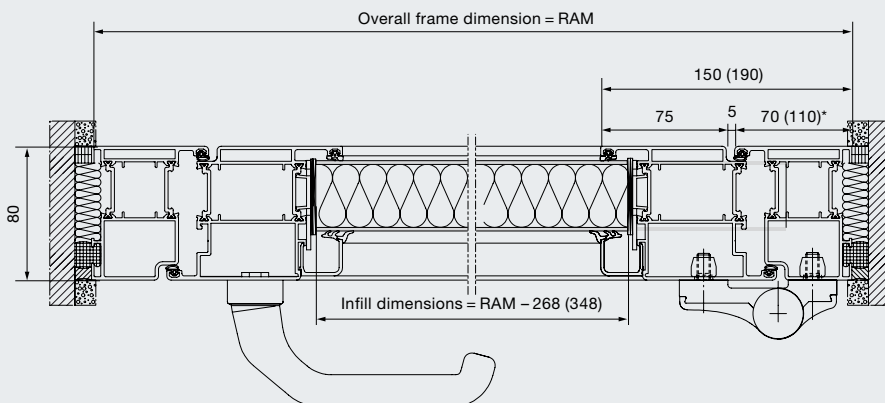
Vertical view
NT80-2



Horizontal view
NT 60-2



Horizontal view
NT80-2



Hörmann: Quality without Compromise



Hörmann KG Amshausen, Germany



Hörmann KG Antriebstechnik, Germany



Hörmann KG Brandis, Germany



Hörmann KG Brockhagen, Germany



Hörmann KG Dissen, Germany



Hörmann KG Eckelhausen, Germany



Hörmann KG Freisen, Germany



Hörmann KG Ichtshausen, Germany



Hörmann KG Werne, Germany



Hörmann Genk NV, Belgium



Hörmann Alkmaar B.V., Netherlands



Hörmann Legnica Sp. z o.o., Poland



Hörmann Beijing, China



Hörmann Tianjin, China



Hörmann LLC, Montgomery IL, USA



Hörmann Flexon LLC, Burgettstown PA, USA

Hörmann is the only manufacturer worldwide that offers you a complete range of all major building products from one source. We manufacture in highly-specialised factories using the latest production technologies. The close-meshed network of sales and service companies throughout Europe, and activities in the USA and China, make Hörmann your strong partner for first-class building products, offering “Quality without Compromise”.

GARAGE DOORS
OPERATORS
INDUSTRIAL DOORS
LOADING EQUIPMENT
HINGED DOORS
DOOR FRAMES

