

August 2017 Alutech Trend Series Price List



Sectional Garage Doors



- 40mm Alutech trend series insulated sectional garage doors
- Avanti garage door openers and accessories

SPECIAL OFFER

Free made to measure
width & height cut
down service for
all doors.

Now with
the largest range
of standard RAL
colours with the
introduction
of a further 9 to
choose from

High quality sectional garage doors designed
to enhance and improve your property
Hard Wearing • Highly Insulating • Beautifully Simple

AVANTI

ALUTECH
GROUP OF COMPANIES

All products only available through approved and accredited Alutech sectional garage door dealers please call 01924 472924 for details of your local dealer.
All prices are sterling and exclude VAT. Garage door specialists and dealers interested in applicable trade discounts please call us on 01924 472924

JDUK
JD(UK) LIMITED

JD (UK) Limited
Ravensthorpe Industrial Estate Low Mill Lane Havelock Street Ravensthorpe Dewsbury WF13 3LN
T: 01924 472924 E: sales@jduk ltd.co.uk www.jduk ltd.co.uk

DHF
Door & Hardware
Federation
raising standards

S-RIB, M-RIB & MICROWAVE SECTIONAL GARAGE DOORS



For 45mm Classic Door add 10% to price shown
 Finished door size = closest width to size shown to nearest 5mm

STOCK DOORS

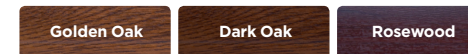
Trend series ex-stock doors in sizes highlighted blue (7' 0", 7' 6", 8' 0", 14' 0" & 14' 6" widths and 7' 0" & 6' 6" heights). Available in white, black or anthracite. Lead time 1-2 weeks. M-Rib woodgrain & Smooth only. Please call 01924 472924 to check availability.

	Colours	Finish	SIDE EXTENSION SPRINGS Standard Widths										TORSION SPRINGS Standard Widths									
			2084 6'10"	2134 7'0"	2235 7'4"	2286 7'6"	2388 7'10"	2438 8'0"	2591 8'6"	2743 9'0"	3048 10'0"	3353 11'0"	3658 12'0"	3962 13'0"	4216 13'10"	4267 14'0"	4420 14'6"	4572 15'0"	4877 16'0"	5180 17'0"	6000 19'8"	
Up-to 7' 0" (2125mm)	White RAL 9016 or Brown RAL 8014	Woodgrain	869	880	884	884	915	920	945	1060	1085	1205	1445	1485	1505	1520	1550	1635	1710	1875	1975	
	White RAL 9016 or Brown RAL 8014	Smooth	890	905	915	915	940	945	970	1070	1095	1215	1485	1495	1565	1595	1625	1650	1745	1995	2210	
	Standard RAL Colour	Woodgrain	1035	1040	1045	1045	1080	1085	1120	1195	1220	1345	1580	1685	1695	1745	1785	1900	1950	2110	2410	
	Standard RAL Colour	Smooth	1045	1050	1060	1060	1105	1110	1145	1265	1265	1380	1620	1710	1725	1775	1820	1910	2020	2140	2495	
Up-to 7' 4" (2250mm)	White RAL 9016 or Brown RAL 8014	Woodgrain	904	915	919	919	952	957	983	1080	1130	1210	1465	1525	1565	1580	1612	1700	1770	1950	2054	
	White RAL 9016 or Brown RAL 8014	Smooth	920	940	952	952	968	983	1000	1095	1135	1220	1510	1555	1600	1620	1640	1715	1775	2075	2298	
	Standard RAL Colour	Woodgrain	1040	1045	1055	1055	1123	1128	1165	1243	1275	1399	1643	1752	1763	1815	1856	1920	2028	2150	2506	
	Standard RAL Colour	Smooth	1055	1060	1065	1065	1135	1140	1191	1316	1316	1435	1640	1778	1794	1846	1893	1915	2035	2145	2595	
Up-to 8' 2" (2500mm)	White RAL 9016 or Brown RAL 8014	Woodgrain	1010	1020	1030	1030	1105	1110	1225	1250	1345	1700	1720	1760	1865	1945	1975	2045	2045	2275	2650	
	White RAL 9016 or Brown RAL 8014	Smooth	1105	1120	1150	1150	1180	1185	1425	1465	1510	1745	1815	1875	1960	2045	2045	2210	2360	2565	2895	
	Standard RAL Colour	Woodgrain	1210	1220	1245	1245	1290	1295	1425	1425	1585	1890	1925	1965	2155	2165	2325	2395	2450	2710	3065	
	Standard RAL Colour	Smooth	1280	1285	1310	1310	1360	1410	1450	1450	1600	1910	1915	1970	2195	2290	2365	2410	2525	2700	3250	
Up-to 9' 10" (3000mm)	White RAL 9016 or Brown RAL 8014	Woodgrain	1425	1465	1555	1555	1630	1635	1675	1715	1795	1800	1835	2150	2190	2240	2290	2420	2520	2610	2810	
	White RAL 9016 or Brown RAL 8014	Smooth	1440	1485	1575	1575	1650	1655	1695	1755	1850	1990	2010	2225	2285	2495	2500	2696	2879	3129	3532	
	Standard RAL Colour	Woodgrain	1485	1500	1600	1600	1670	1675	1720	1760	1825	2230	2272	2319	2543	2555	2744	2826	2891	3198	3617	
	Standard RAL Colour	Smooth	1535	1542	1625	1625	1690	1692	1740	1780	1920	2292	2298	2364	2634	2748	2838	2892	3030	3250	3900	
	Wood Effect Colour	Smooth	1572	1596	1650	1650	1753	1758	1776	1842	1945	2310	2334	2412	2706	2892	3006	3050	3190	3300	3948	
Number of Windows			2	2	2	2	2	2	3	3	3	4	4	5	5	5	5	6	6	7		

STANDARD COLOURS Colours for illustration purposes, door colour may vary



WOOD EFFECT COLOURS



Non Standard (Special) Colours
 Please state RAL reference number when ordering

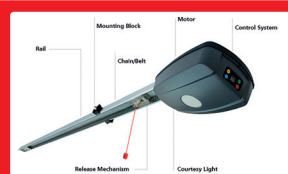
Special RAL £54.00 m²
Non-RAL colour £100.00 m²

SPACE REQUIREMENTS

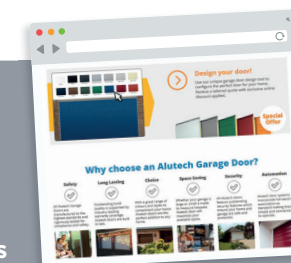
	Side Room	Headroom (manual) + Boom Depth*	Depth required for Tracks
Side Spring	95mm	100mm	Height + 490mm
Front Torsion	95mm	210mm*	Height + 490mm
Rear Torsion	95mm	100mm	Height + 660mm

Avanti operator boom installation depth = Headroom + 45mm*
 Manual locking handle installation depth = Headroom + 25mm*
 210mm includes boom or handle depth*

Add an 800nm Avanti T-Series garage door opener complete with 2 remote controls for only **£205.00** (£315.00 when sold separately)



www.jduk ltd.co.uk to use our unique design configurator and browse our gallery of sectional garage door projects



L-RIB SECTIONAL GARAGE DOORS



For 45mm Classic Door add 10% to price shown
 Finished door size = closest width to size shown to nearest 5mm

STOCK DOORS

Trend series ex-stock doors in sizes highlighted blue (7' 0", 7' 6", 8' 0", 14' 0" & 14' 6" widths and 7' 0" & 6' 6" heights). Available in white, black or anthracite. Lead time 1-2 weeks. L-Rib smooth only. Please call 01924 472924 to check availability.

	Colours	Finish	SIDE EXTENSION SPRINGS Standard Widths										TORSION SPRINGS Standard Widths									
			2084 6'10"	2134 7'0"	2235 7'4"	2286 7'6"	2388 7'10"	2438 8'0"	2591 8'6"	2743 9'0"	3048 10'0"	3353 11'0"	3658 12'0"	3962 13'0"	4216 13'10"	4267 14'0"	4420 14'6"	4572 15'0"	4877 16'0"	5180 17'0"	6000 19'8"	
Up-to 7' 0" (2125mm)	White RAL 9016 or Brown RAL 8014	Woodgrain	910	920	938	938	960	975	1000	1075	1110	1210	1495	1550	1605	1610	1620	1700	1770	2090	2260	
	White RAL 9016 or Brown RAL 8014	Smooth	915	945	960	960	968	995	1006	1085	1115	1220	1510	1570	1610	1615	1635	1710	1775	2095	2343	
	Standard RAL Colour	Woodgrain	1040	1045	1055	1055	1130	1140	1220	1300	1320	1480	1650	1785	1805	1850	1890	1910	2030	2130	2700	
	Standard RAL Colour	Smooth	1055	1060	1070	1070	1135	1142	1230	1325	1345	1500	1660	1790	1815	1855	1910	1930	2040	2150	2785	
Up-to 7' 4" (2250mm)	White RAL 9016 or Brown RAL 8014	Woodgrain	920	950	960	960	965	995	1002	1085	1135	1220	1510	1565	1615	1618	1625	1710	1775	2110	2325	
	White RAL 9016 or Brown RAL 8014	Smooth	922	956	970	970	971	1000	1108	1110	1140	1225	1515	1575	1620	1625	1645	1720	1780	2115	2436	
	Standard RAL Colour	Woodgrain	1048	1050	1060	1060	1135	1142	1230	1317	1340	1483	1660	1790	1820	1860	1910	1976	2045	2176	2725	
	Standard RAL Colour	Smooth	1063	1065	1100	1100	1145	1150	1232	1330	1350	1515	1665	1805	1825	1862	1915	1960	2050	2155	2750	
Up-to 8' 2" (2500mm)	White RAL 9016 or Brown RAL 8014	Woodgrain	1300	1300	1330	1330	1340	1350	1530	1560	1695	1780	1980	2050	2200	2285	2285	2480	2495	2690	2790	
	White RAL 9016 or Brown RAL 8014	Smooth	1310	1320	1325	1340	1355	1360	1565	1575	1705	1800	2000	2100	2225	2300	2315	2510	2525	2725	3069	
	Standard RAL Colour	Woodgrain	1310	1315	1405	1405	1475	1490	1595	1695	1840	1960	2105	2210	2295	2460	2495	2510	2660	2840	3195	
	Standard RAL Colour	Smooth	1336	1346	1435	1435	1490	1500	1615	1700	1860	1980	2120	2250	2327	2485	2525	2540	2677	2947	3445	
Up-to 9' 10" (3000mm)	White RAL 9016 or Brown RAL 8014	Woodgrain	1585	1605	1650	1650	1750	1785	1805	1850	1870	1995	2360	2450	2650	2700	2700	2855	2960	3100	3200	
	White RAL 9016 or Brown RAL 8014	Smooth	1600	1615	1675	1675	1760	1790	1815	1860	1890	2000	2370	2465	2670	2710	2725	2900	2985	3181	3744	
	Standard RAL Colour	Woodgrain	1780	1785	1800	1800	1890	1940	2050	2100	2250	2425	2510	2580	2650	2800	2925	3025	3250	3480	4015	
	Standard RAL Colour	Smooth	1810	1815	1825	1825	1910	1955	2075	2130	2260	2430	2515	2595	2685	2840	3008	3066	3305	3536	4134	
	Wood Effect Colour	Smooth	1825	1845	1880	1880	1930	1960	2110	2250	2290	2490	2580	2610	2690	2850	3050	3080	3310	3560	4185	
Number of Windows			2	2	2	2	2	2	3	3	3	4	4	5	5	5	5	5	6	6	7	

STANDARD COLOURS *Colours for illustration purposes, door colour may vary*

Burgundy RAL 3004	Anthracite RAL 7016	Fir Green RAL 6009	Moss Green RAL 6005	White Aluminium RAL 9006	Graphite Grey RAL 7024	Terra Brown RAL 8028
Grey Aluminium RAL 9007	Window Grey RAL 7040	Light Grey RAL 7035	Light Ivory RAL 1015	Stone Grey RAL 7030	Cream RAL 9001	Ruby Red RAL 3003
Steel Blue RAL 5011	Gentian Blue RAL 5010	Flame Red RAL 3000	Jet Black RAL 9005	Quartz Grey RAL 7039	Nut Brown RAL 8011	Pigeon Blue RAL 5015

WOOD EFFECT COLOURS

Golden Oak	Dark Oak	Rosewood
------------	----------	----------

Non Standard (Special) Colours
 Please state RAL reference number when ordering

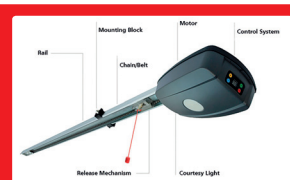
Special RAL £54.00 m²
Non-RAL colour £100.00 m²

SPACE REQUIREMENTS

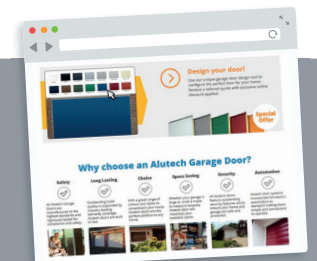
	Side Room	Headroom (manual) + Boom Depth*	Depth required for Tracks
Side Spring	95mm	100mm	Height + 490mm
Front Torsion	95mm	210mm*	Height + 490mm
Rear Torsion	95mm	100mm	Height + 660mm

Avanti operator boom installation depth = Headroom + 45mm*
 Manual locking handle installation depth = Headroom + 25mm*
 210mm includes boom or handle depth*

Add an 800nm Avanti T-Series garage door opener complete with 2 remote controls for only £205.00 (£315.00 when sold separately)



www.jduk ltd.co.uk to use our unique design configurator and browse our gallery of sectional garage door projects



GEORGIAN SECTIONAL GARAGE DOORS



For 45mm Classic Door add 10% to price shown

Finished door size = closest width to size shown to nearest 5mm

Height = 25mm increments
Minimum width 2070mm

STOCK DOORS

Trend series ex-stock doors in sizes highlighted blue (7' 0", 7' 6", 8' 0" widths). Available in white only. Lead time 1-2 weeks. Please call 01924 472924 to check availability.

	Colours	Finish	SIDE EXTENSION SPRINGS Standard Widths									TORSION SPRINGS Standard Widths						
			2134 7'0"	2235 7'4"	2286 7'6"	2388 7'10"	2438 8'0"	2591 8'6"	2743 9'0"	3048 10'0"	3353 11'0"	3658 12'0"	3962 13'0"	4216 13'10"	4267 14'0"	4420 14'6"	4572 15'0"	5000 16'4"
Up-to 7' 0" (2125mm)	White RAL 9016 or Brown RAL 8014	Woodgrain	1025	1050	1050	1090	1095	1145	1210	1240	1460	1520	1610	1680	1745	1865	1915	2110
	Standard RAL Colour	Woodgrain	1148	1176	1176	1221	1226	1282	1344	1389	1635	1702	1803	1882	1954	2089	2145	2402
	Wood Effect Colour	Woodgrain	1185	1191	1196	1257	1266	1278	1400	1488	1672	1874	2028	2009	1985	2201	2247	2421
Up-to 7' 4" (2250mm)	White RAL 9016 or Brown RAL 8014	Woodgrain	1105	1115	1115	1120	1125	1185	1255	1285	1510	1610	1690	1800	1800	1910	1925	2115
	Standard RAL Colour	Woodgrain	1238	1249	1249	1333	1338	1394	1484	1495	1691	1803	1893	2016	2016	2139	2156	2419
	Wood Effect Colour	Woodgrain	1303	1315	1323	1383	1400	1425	1625	1725	2050	2190	2300	2340	2340	2557	2589	2670
Up-to 8' 2" (2500mm)	White RAL 9016 or Brown RAL 8014	Woodgrain	1225	1245	1245	1265	1270	1285	1515	1585	1675	1795	2000	2150	2210	2315	2410	2610
	Standard RAL Colour	Woodgrain	1411	1438	1438	1477	1482	1594	1744	1798	2109	2266	2413	2493	2515	2568	2622	3003
	Wood Effect Colour	Woodgrain	1453	1481	1481	1575	1659	1744	1915	1980	2172	2354	2485	2568	2568	2645	2701	3093
Up-to 9' 10" (3000mm)	White RAL 9016 or Brown RAL 8014	Woodgrain	1460	1490	1495	1555	1560	1620	1700	1770	1870	2000	2250	2370	2500	2650	2825	2920
	Standard RAL Colour	Woodgrain	1791	1857	1857	1880	1885	1925	2000	2221	2370	2673	2827	2827	3047	3185	3001	3439
	Wood Effect Colour	Woodgrain	1825	1885	1885	1935	1940	1960	2110	2270	2408	2690	2850	2900	3100	3200	3400	3627
Number of Windows / No. of Squares			3	3	3	3	3	4	4	4	4	5	5	6	6	6	7	7

STANDARD COLOURS Colours for illustration purposes, door colour may vary

Burgundy RAL 3004	Anthracite RAL 7016	Fir Green RAL 6009	Moss Green RAL 6005	White Aluminium RAL 9006	Graphite Grey RAL 7024	Terra Brown RAL 8028
Grey Aluminium RAL 9007	Window Grey RAL 7040	Light Grey RAL 7035	Light Ivory RAL 1015	Stone Grey RAL 7030	Cream RAL 9001	Ruby Red RAL 3003
Steel Blue RAL 5011	Gentian Blue RAL 5010	Flame Red RAL 3000	Jet Black RAL 9005	Quartz Grey RAL 7039	Nut Brown RAL 8011	Pigeon Blue RAL 5015

WOOD EFFECT COLOURS

Golden Oak	Dark Oak
------------	----------

Special RAL £54.00 m²
Non-RAL colour £100.00 m²

Non Standard (Special) Colours
Please state RAL reference number when ordering

SPACE REQUIREMENTS

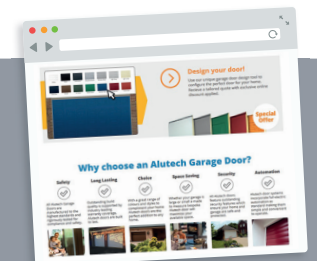
	Side Room	Headroom (manual) + Boom Depth*	Depth required for Tracks
Side Spring	95mm	100mm	Height + 490mm
Front Torsion	95mm	210mm*	Height + 490mm
Rear Torsion	95mm	100mm	Height + 660mm

Avanti operator boom installation depth = Headroom + 45mm*
Manual locking handle installation depth = Headroom + 25mm*
210mm includes boom or handle depth*

Add an 800nm Avanti T-Series garage door opener complete with 2 remote controls for only £205.00 (£315.00 when sold separately)

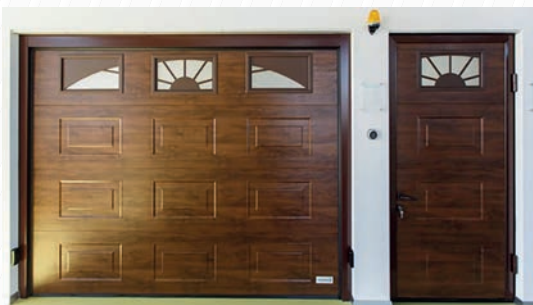


www.jduk ltd.co.uk to use our unique design configurator and browse our gallery of sectional garage door projects



MATCHING SIDE HINGED PERSONNEL DOORS

Insulated side doors to compliment your Alutech sectional garage door



Doors are manufactured from 40mm thick insulated panels, with an extruded aluminium frame with built in seals. Heavy duty hinges are used, quantity to suit size. Each door is made as a dead size, please allow installation tolerance. Doors are ordered to over-frame sizes and normally fitted between the brickwork opening.

S-RIB, M-RIB, L-RIB & MICROWAVE

		WIDTH (MM)				
		875	900	1000	1125	1250
HEIGHT (MM)	1900	965	979	1078	1191	1299
	2000	1008	1016	1135	1248	1366
	2125	1059	1069	1191	1309	1413
	2250	1101	1116	1248	1351	1478

GEORGIAN

		WIDTH (MM)				
		875	900	1000	1125	1250
HEIGHT (MM)	1900	1055	1078	1144	1261	1374
	2000	1088	1101	1205	1328	1478
	2125	1139	1158	1266	1394	1516
	2250	1243	1384	1450	1573	1624

COLOURS

Any RAL Colour (including standard colours) add £45 m²

Wood effect colours add £60 m²

SECTIONAL GARAGE DOOR WINDOWS

All windows feature durable double acrylic glazing which offers highly insulating properties and a hard wearing impact resistant window.



SQUARE ACRYLIC WINDOW

- One Price £95.00 with the clear or opaque smooth frosting



ROUND ACRYLIC FRAMED WINDOW

- One price £95.00 with the option of either Clear or opaque smooth frosting



RECTANGULAR ACRYLIC FRAMED WINDOW

- Clear glazing or stippled textured frosted £84.00 each



RECTANGULAR ACRYLIC FRAMED WINDOW WITH CROSS INSERT

- Clear glazing or stippled textured frosted £96.00 each



RECTANGULAR ACRYLIC FRAMED WINDOW WITH SUNBURST INSERT

- Clear glazing or stippled textured frosted £96.00 each



ACRYLIC WINDOW FRAME PAINTING

- Window frames and inserts supplied white as standard
- Painted in any standard RAL colour £22.00 per window
- Painted in any other RAL colour £28.00 per window



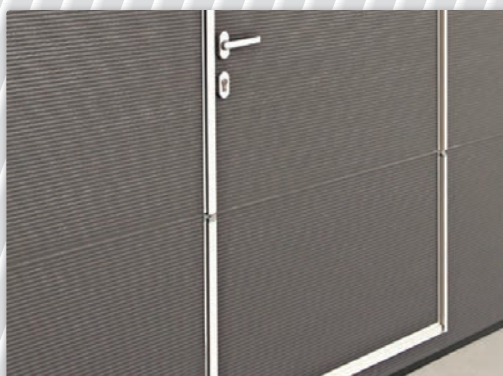
STAINLESS STEEL FRAMED SQUARE WINDOW

- One price £270 with the two options of clear and opaque



STAINLESS STEEL FRAMED ROUND WINDOW

- One price £270.00 with the two options clear or opaque



WICKET DOORS

Provides access to your garage without the need to open the entire garage door. You door is supplied with specially adapted door panels with sensors in-built to disengage your door motor when the wicket door is open.

Standard Threshold (145mm)

Low Threshold (100mm)

Flat Threshold (22mm)

£1350.00

For further technical information please visit www.jdukLtd.co.uk or call 01924 472924

SECTIONAL GARAGE DOOR OPTIONS AND ACCESSORIES

LOCKING

MANUAL LOCKING HANDLE KIT - £71.00

A key operated manual handle can be cut left or right in 2nd panel from the ground. Operates a spring loaded shoot bolt in door frame.

EXTERNAL MANUAL RELEASE - £59.00

A key operated cylinder lock to disengage Avanti garage door opener and allow manual entry into the garage, recommended where garage door is only point of entry into.

SPRING OPTIONS

Please consult garage door price lists for guide to spring types supplied as standard. Larger doors as indicated on the price list are supplied with front torsion springs with shaft mounted above the door. 210mm headroom required (see space requirements table below).

Low headroom kit (rear mounted torsion springs, 100mm headroom + operator or handle requirements, see space requirements table below) - **£110.00**

SPACE REQUIREMENTS

	Side Room	Headroom (manual) + Boom Depth*	Depth required for Tracks
Side Spring	95mm	100mm	Height + 490mm
Front Torsion	95mm	210mm*	Height + 490mm
Rear Torsion	95mm	100mm	Height + 660mm

Avanti operator boom installation depth = Headroom + 45mm*

Manual locking handle installation depth = Headroom + 25mm*

210mm includes boom or handle depth*

FITTING OPTIONS

FRAME PAINTING - £111.00

Door frame supplied with frame legs and header fascia in white on all doors. For painting in any RAL colour add frame painting.

UPVC ARCHITRAVE TRIM KIT - £85.00

Set of 95mm architraves in any RAL colour for use as cover profiles when trimming your sectional garage door installation.

SPECIAL OFFER

Free made to measure width & height cut down service for all doors.

DELIVERY TIMES

Trend Series Ex-Stock range (for full list please visit www.jduk ltd.co.uk)

1-2 weeks

All other doors (made to measure and special RAL colour included) **3-4 weeks**

Any doors including non-RAL special colour or with windows including opaque smooth frosting **4-6 weeks**

REVEAL FITTING OPTIONS

Fitting tolerance guidance based on low headroom, rear or side springs.

REVEAL FITTING KIT OPTION 1 - £65.00

Mounting brackets for fitting in-between the opening. Reduce structural width by 215mm and structural height by 145mm (operator beneath lintel) / 100mm (operator behind lintel) when calculating ordering size. No trims/cover profiles supplied.

REVEAL FITTING KIT OPTION 2

Mounting brackets as listed above complete with set of 95mm uPVC architraves for finishing trim.

£150.00 - white

£261.00 - coloured

Coloured option includes door frame painting as listed above & uPVC architraves in matching RAL colour.

REVEAL FITTING KIT OPTION 3

Mounting brackets as listed above complete with adjustable cover profile system. Designed for maximum adjustability and highest quality finish. Includes two 107mm frame leg cover profiles and one 145mm header fascia. Reduce structural width by 220mm and structural height by 145mm.

£220.00 - white

£331.00 - coloured

Coloured option includes door frame painting as listed above and cover profiles supplied in matching colour.

DELIVERY CHARGES

Delivery to designated dealers delivery address (England and Wales) **FOC**

Delivery to any other address (single doors - up-to 10') **£134.00**

Delivery to any other address (double doors - over 10') **£155.00**

Scotland, Northern Ireland & Islands **POA**

AVANTI GARAGE DOOR OPENERS

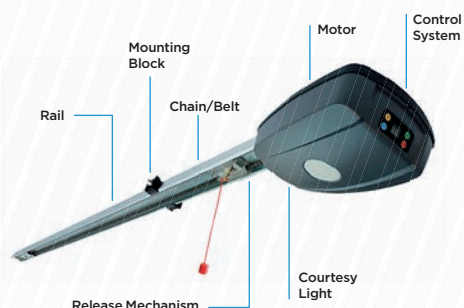
CE A reliable and robust motor recommended for use with all Alutech sectional garage doors, fully certified for CE compliance as part of a complete automated door package when fitted in combination with an Alutech sectional garage door.

Avanti motors are also a great option for your up and over style one piece garage doors, featuring a dedicated tip-up door function setting.

For more details on our motors visit www.jduk ltd.co.uk or call 01924 472924

Key Features

- Slim-line design
- Automatic safety reverse
- Fail safe locking mechanism - highly secure
- Courtesy light
- Easy remote control programming
- 7 year motor warranty
- Steel reinforced Kevlar belt systems
- Powerful 800nm motor



SPECIFICATION

Model	T8/800
Force	800n
Soft start / stop	Yes
Maximum width	6000mm
Maximum height	3000mm
Rail	Belt Drive
Boom make up	1 piece or 2 piece
Boom length	3120mm (3620mm with extension)
Overall installation depth	3300mm (3800mm with extension)
Minimum installation depth	45mm
Minimum installation depth with Battery Backup	85mm
Radio frequency	433mhz keeloq
Motor warranty	7 years
General warranty	2 years

AVANTI T-SERIES GARAGE DOOR OPENER



Avanti- T-Series 800nm garage door opener complete with motor head unit, belt drive boom (rail) and two pre-coded hand transmitters. CE certified for use with all Alutech sectional garage doors.

ONLY £205.00 WHEN PURCHASED WITH ANY ALUTECH SECTIONAL GARAGE DOOR!

PRICE: £315.00

OPERATOR ACCESSORIES



£45.00

- HAND TRANSMITTER**
- 4-channel, 433,92 MHz
 - Rolling Code
 - Features glow-in-the-dark buttons and one touch coding



£11.00

- SUN VISOR CLIP**
- For mounting hand transmitter on a wall or on sun visor of car dashboard



£167.00

- BATTERY BACK-UP**
- Battery back-up system ensures continuous power supply in event of mains power cut



£65.00

- BOOM EXTENSION**
- 500mm boom extension kit for use with doors above 2400mm height



No additional cost

- TWO-PIECE BOOM**
- Optional two-piece boom for easier transportation and storage



£50.00

- IN-CAR TRANSMITTER**
- Powered by cigarette lighter socket in dashboard



£50.00

- WIRELESS PUSH BUTTON**
- 4-channel, 433,92 MHz
 - Rolling Code
 - Wall mounted control for internal mounting



£74.00

- UNIVERSAL MINI RECEIVER**
- 2-channel, 433,92 MHz
 - For coding Avanti transmitters to operate other automation systems



£94.00

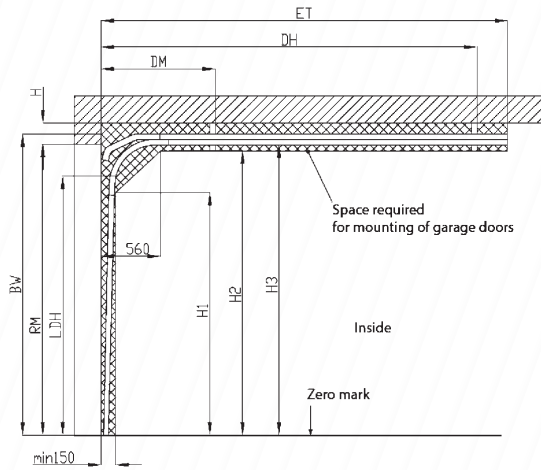
- DIGITAL KEYPAD**
- 4-channel, 433,92 MHz
 - Rolling Code
 - Secure PIN activated control, can be mounted internally or externally



£45.00

- PHOTO-CELL SENSOR**
- For non-contact safety protection preventing door closure when an obstruction is present
 - Supports contact based safety reverse function in-built in T-Series operator
 - Can be used to program automatic door closure when you drive-away

TECHNICAL INFORMATION

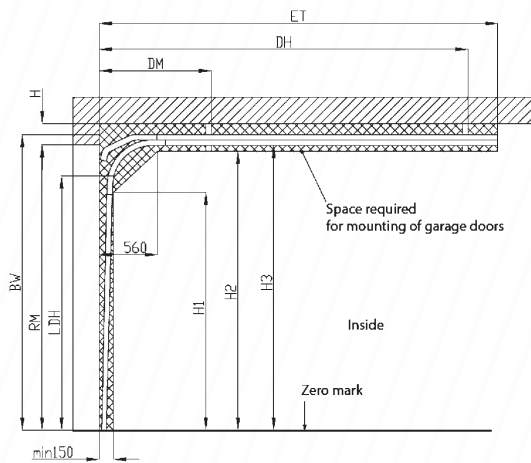


SIDE EXTENSION SPRINGS

Dimension	Description	Description
H	Headroom	100mm excluding motor or handle
RM	Door Height	X
LDH	Drive through height	RM -40mm
DM	1st Hanger	950mm
H3	Underside of track	RM -15mm

Track length = ET. Rear hanger position = DH.

RM (mm)	1750 - 1845	1850 - 1945	1950 - 2045	2050 - 2145	2150 - 2245	2250 - 2345	2350 - 2445	2450 - 2545	2550 - 2645	2650 - 2745	2750 - 2845	2850 - 2945	2950 - 3000
ET (mm)	2240	2340	2440	2540	2640	2740	2840	2940	3040	3140	3240	3340	3440
DH (mm)	1940	2040	2140	2240	2340	2440	2540	2640	2740	2840	2940	3040	3140

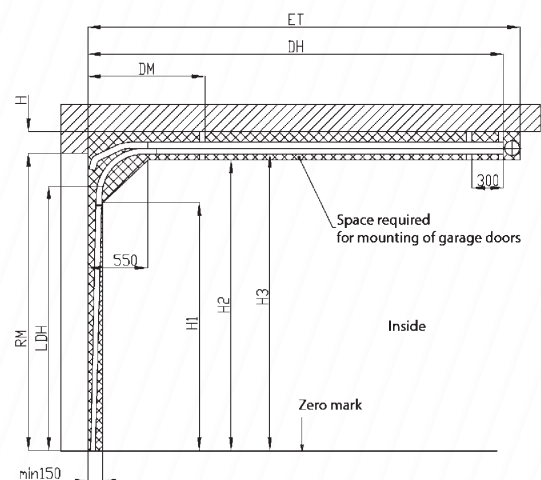


FRONT TORSION SPRINGS

Dimension	Description	Description
H	Headroom	210mm including motor or handle
RM	Door Height	X
LDH	Drive through height	RM -40mm
DM	1st Hanger	950mm
H3	Underside of track	RM +46mm

Track length = ET. Rear hanger position = DH.

RM (mm)	1750 - 1845	1850 - 1945	1950 - 2045	2050 - 2145	2150 - 2245	2250 - 2345	2350 - 2445	2450 - 2545	2550 - 2645	2650 - 2745	2750 - 2845	2850 - 2945	2950 - 3000
ET (mm)	2240	2340	2440	2540	2640	2740	2840	2940	3040	3140	3240	3340	3440
DH (mm)	1940	2040	2140	2240	2340	2440	2540	2640	2740	2840	2940	3040	3140



REAR TORSION SPRINGS (LOW HEADROOM KIT)

Dimension	Description	Description
H	Headroom	100mm excluding motor or handle
RM	Door Height	X
LDH	Drive through height	RM -100mm
DM	1st Hanger	950mm
H3	Underside of track	RM -15mm

Track length = ET. Rear hanger position = DH.

RM (mm)	1750 - 1845	1850 - 1945	1950 - 2045	2050 - 2145	2150 - 2245	2250 - 2345	2350 - 2445	2450 - 2545	2550 - 2645	2650 - 2745	2750 - 2845	2850 - 2945	2950 - 3000
ET (mm)	2410	2510	2610	2710	2810	2910	3010	3110	3210	3310	3410	3510	3610
DH (mm)	2230	2330	2430	2530	2630	2730	2830	2930	3030	3130	3230	3330	3430